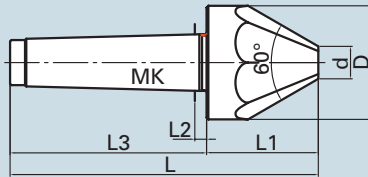
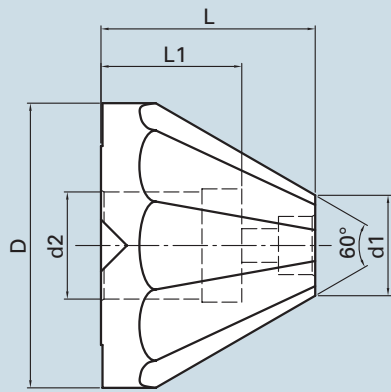
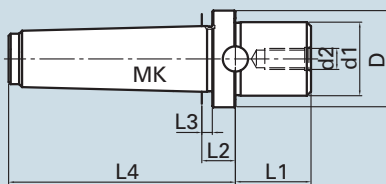


**Technical data – Type NDG pipe driver**


catalogue no.	Type	morse taper	D	d	L	L1	L2	L3	a	chisel pcs	for Bore-Ø	
											from	to
75001	NDG 0/15	2	18	0	100	32	4	68	60°	6	2	17
75002	NDG 0/30	3	31	0	135	50	5	85	60°	6	2	30
75003	NDG 10/40	3	45	8	145	60	5	85	60°	6	9	43
75004	NDG 20/60	3	63	18	147	62	5	85	60°	8	19	60
75005	NDG 10/40	4	45	8	168	60	6	108	60°	6	9	43
75006	NDG 20/60	4	63	18	170	62	6	108	60°	8	19	60

**Technical data – Type NDG drive cone exchangeable**


catalogue no.	Type	D	d	d2	L	L1	a	chisel pcs	for Bore-Ø	
									from	to
75101	NDG 35/90	93	32.8	35	70	46	60°	10	33	90
75102	NDG 90/155	158	88	35	75	46	60°	10	88	155

**Technical data – Type AND arbor**


catalogue no.	Type	morse taper	D	d1	L1	L2	L3	L4
75202	AND 35/5	5	44.5	35	M10	36	16	130
75203	AND 35/6	6	64	35	M10	36	16	144